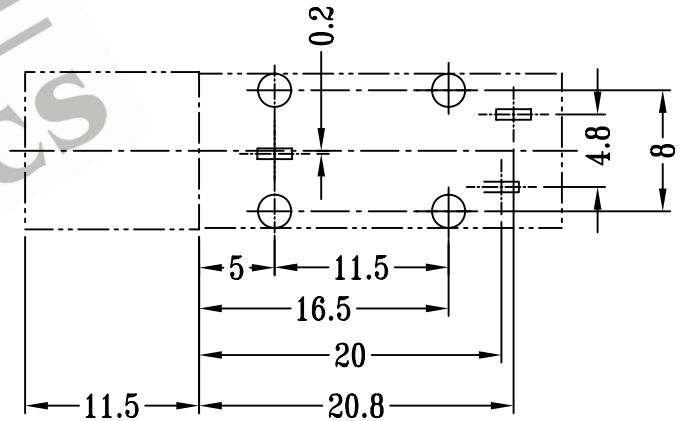
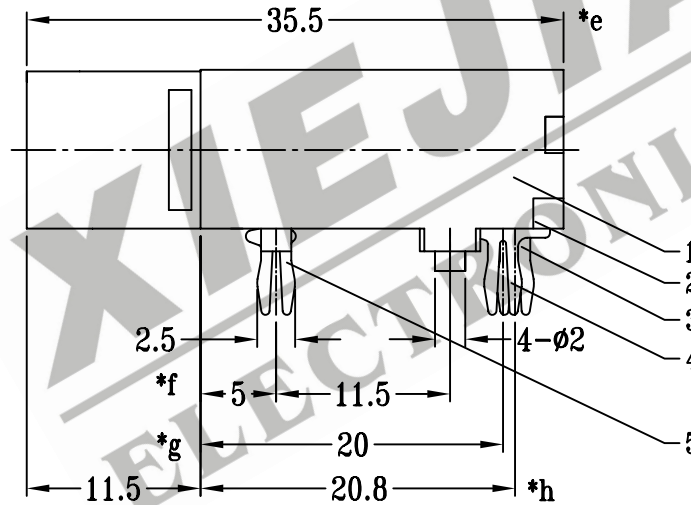
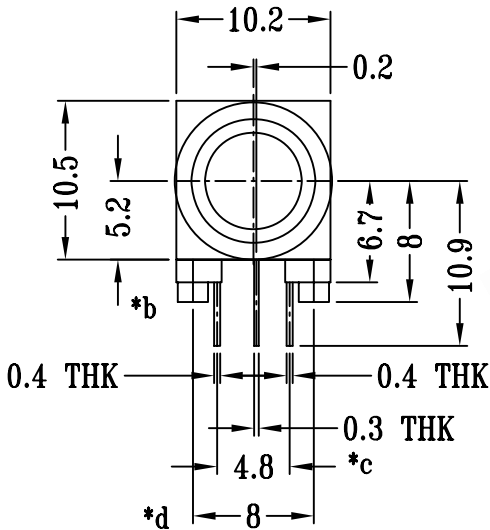
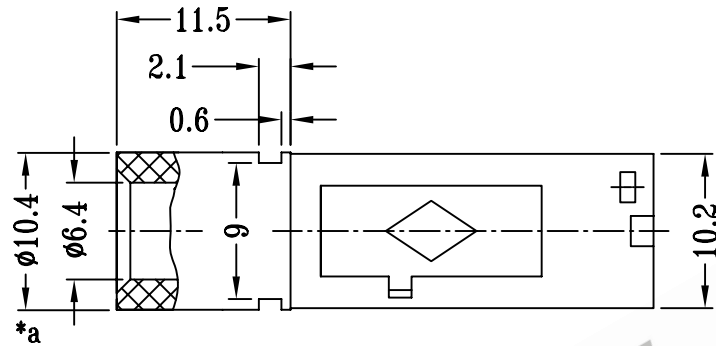
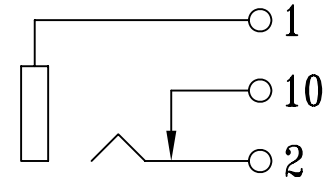


CAD FILE:



P.C.B LAYOUT



SCHEMATIC (MONO)

注:带"*"表示关键尺寸(8个)

8					TOLERANCE	SHENZHEN XIEJIA ELECTRONICS CO.,LTD.					
7					UNLESS SPECIFIED						
6					WITHIN: 1.5 ±0.1mm	ISSUE	DATE	DESCRIPTIONS OF REVISION		APPD.	
5	SPRING TERMINAL A	PBS STRIP	1	Ag PLATED OVER Ni PLATED	OVER: 1.5 ±0.2mm	TITLE : PHONE JACK		UNIT : mm	DRWG NO.: XJ-DR-MJ091-00		
4	SPRING TERMINAL C	PBS STRIP	1	Ag PLATED OVER Ni PLATED		MODEL: MJ-091		SCALE: 2 : 1	DWN.	ZHOUYU	2001-9-29
3	TERMINAL B	BRASS STRIP	1	Ag PLATED OVER Ni PLATED					CHK'D	FANGYING	2001-9-29
2	COVER	PC	1	RED					APPD.	KANGXINAN	2001-9-29
1	CASE	PC	1	BLACK							
NO.	PARTS	MATERIALS	Q'TY	FINISH	ALL MATERIALS MUST BE COMPLIANT TO ROHS						